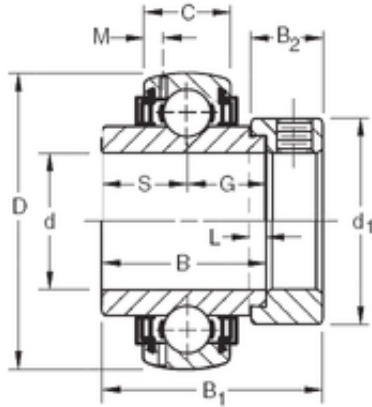




# Toyana BEARING-SINGAPORE (PTE)LTD.

## 61,9125 mm x 130 mm x 61,91 mm Timken GN207KLLB Ball Insert Bearings



Bearing No. GN207KLLB

Size	61.9125x130x61.91 mm
Bore Diameter	61,9125 mm
Outer Diameter	130 mm
Width	61,91 mm
d	61,9125 mm
D	130 mm
B	61,91 mm
C	33 mm
d1	88,9 mm
B1	79,38 mm
B2	23,8 mm
G	30,96 mm
L	6,4 mm
M	5,84 mm
S	30,96 mm
Weight	2,841 Kg
Basic dynamic load rating (C)	90 kN

GN207KLLB Bearing 2D drawings and 3D CAD models